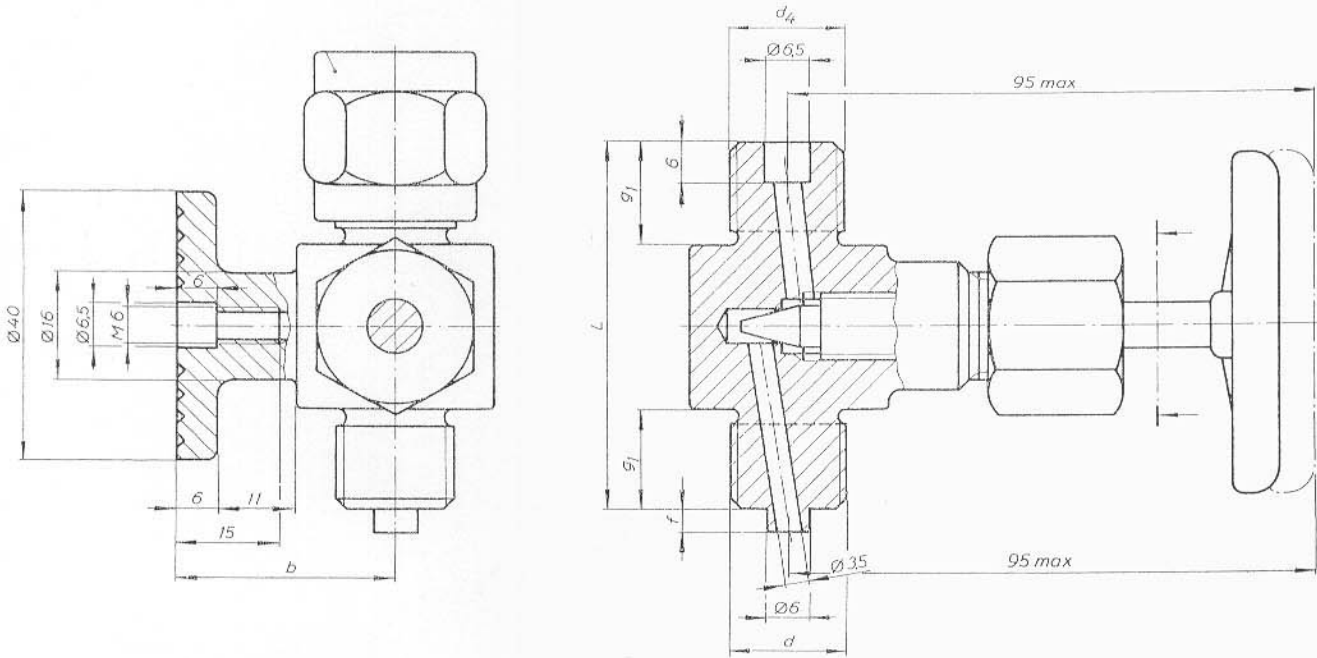


PRESSURE GAUGES NEEDLE VALVES WITH CHECKING FLANGE

| Stainless steel AISI 430F | | Stainless steel AISI 316L |
|---------------------------|-----------|---------------------------|
| DN | RSK.no | RSK.no |
| 10 | 462 32 11 | 462 32 35 |
| 15 | 462 32 29 | 462 32 36 |



| DN | Thread | | g1 | f | L |
|----|--------|-------------|----|---|----|
| | d | d4 | | | |
| 10 | R3/8-B | R3/8-B Left | 15 | 3 | 54 |
| 15 | R1/2-B | R1/2-B Left | 20 | 5 | 64 |

Working pressure 400 Bar 20 C
 Stainless steel 160 Bar 125 C
 125 Bar 200 C
 20 Bar 300 C

The valve can be supplied with locked boxnut.
 Packing: Graphite.
 The valve are supplied with handwheel of steelplate.

Rubens
VERKSTAD AB

BOX 103, S-280 60 BROBY

PHONE +46 44 401 78 • FAX +46 44 408 51