

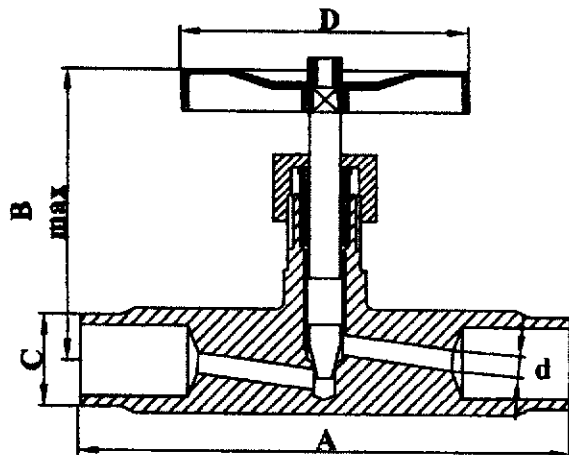
NEEDLE-VALVES PN 100 with butt weld ends

The valves are of forged steel construction with butt weld ends.

RSK 462 02 67 DN 10
RSK 462 02 68 DN 15

Material:

Body: Steel C22.8
Stem: AISI 420
Packing: Graphite
Handwheel: Steelplate



Pressure	100	40	bar
Temp	20	300	C

DN	Measure				
	A	B	D	C	d
10	120	85	70	18	5
15	120	85	70	22	5

The valve can be supplied with locked boxnut.

These valves are suitable for water, steam and oil.

Rubens
VERKSTAD AB

Box 103, SE-280 60 Broby • Phone +46 44 401 78 • Fax +46 44 408 51
www.rubensverkstad.se • info@rubensverkstad.se