

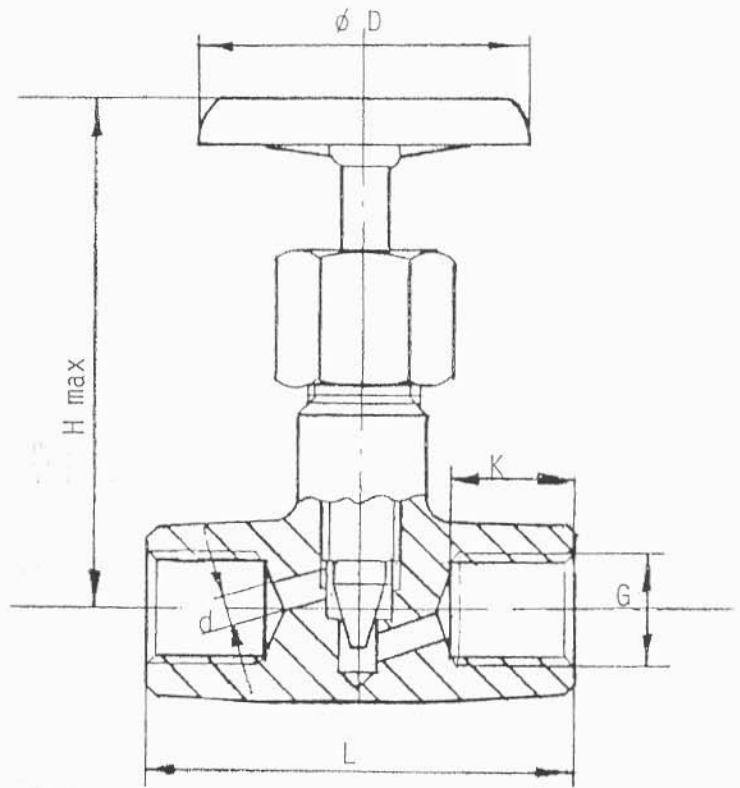
NEEDLE-VALVES PN 100

IN HOT STAMPING BRASS

DN	RSK.No
8	462 00 19
10	462 00 27
15	462 00 35

Material:

Body SS-EN CW 614N
Stem SS-EN CW 614N
Packing: Graphite
Handwheel: Steelplate



Size		Measure				
DN	in	L	K	d	D	H
8	R 1/4"	48	14	4	65	80
10	R 3/8"	54	16	5	65	80
15	R 1/2"	56	17	5	65	80

Working pressure Max 100 Bar

Working temperature Max 185 C

The valve can be supplied with locked boxnut.

Rubens
VERKSTAD AB

BOX 103, S-280 60 BROBY

PHONE +46 44 401 78 • FAX +46 44 408 51